

TOSHIBA

Leading Innovation >>>



Ideal for starting and stopping:

- pumps
- fans and blowers
- compressors and chillers
- conveyors
- augers and screw feeders
- industrial machinery

TMS9 Series Digital Soft Starter

Featuring:

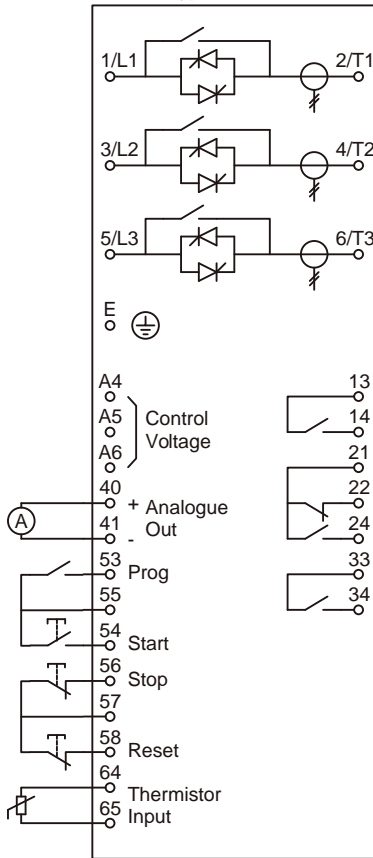
- Smooth motor acceleration
- Controlled starting current
- Built-in bypass up to 110 kW
- Comprehensive motor protection

The TMS9 is an advanced digital soft start solution for motors from 11 to 850 kW. TMS9 soft starters provide a complete range of motor and system protection features and have been designed for reliable performance in the most demanding applications.

Benefits of TMS9

- Extensive starting and stopping options
- Adaptive Acceleration Control (AAC)
- Models for a range of applications and motor sizes
- Easy-to-read display with comprehensive feedback
- User-programmable monitoring screen
- Customisable protection

Bypass Models



Range

Model	Nominal kW	Maximum Motor FLC at 40 °C	
		3.0xFLC for 10sec	4.5xFLC for 30sec
		AC53b 3.0-10:350	AC53b 4.5-30:330
TMS9-x011B	11	23 A	15 A
TMS9-x018B	18.5	43 A	26 A
TMS9-x022B	22	50 A	30 A
TMS9-x025B		53 A	37 A
		(AC53b 3.0-10:590)	(AC53b 4.5-30:570)
TMS9-x030B	30	76 A	47 A
TMS9-x037B	37	97 A	58 A
TMS9-x045B	45	100 A	61 A
TMS9-x055B	55	105 A	78 A
TMS9-x075B	75	145 A	90 A
TMS9-x082B		170 A	97 A
TMS9-x090B	90	200 A	134 A
TMS9-x110B	110	220 A	148 A
TMS9-x132C	132	255 A	176 A
TMS9-x185C	185	360 A	263 A
TMS9-x200C	200	380 A	299 A
TMS9-x220C	220	430 A	309 A
TMS9-x280C	280	620 A	434 A
TMS9-x355C	355	650 A	455 A
TMS9-x445C	445	790 A	579 A
TMS9-x500C	500	930 A	661 A
TMS9-x650C	650	1200 A	1071 A
TMS9-x750C	750	1410 A	1114 A
TMS9-x850C	850	1600 A	1353 A

Technical Specifications

- Supply Voltage:
 - 200 VAC to 525 VAC (+/- 10%)
 - 380 VAC to 690 VAC (+/- 10%)
- Supply Frequency:
 - 45 Hz to 66 Hz
- Control Voltage:
 - 110 VAC or 220 VAC (+10/-15%)
 - 24 VDC/VAC (+/- 20%)
- Output Relay Contacts: 10A @ 250 VAC resistive, 5A @ 250 VAC AC15
- Degree of Protection:
 - TMS9-4011B to TMS9-4055B IP20
 - TMS9-4075B to TMS9-4850C IP00
- Max. Ambient Temperature:
 - 60° C
- Relative Humidity:
 - 5% to 95%

Dimensions

Model	Height mm (inch)	Width mm (inch)	Depth mm (inch)	Weight kg (lb)		
TMS9 x011B	295 (11.6)	150 (5.9)	183 (7.2)	4.3 (9.5)		
TMS9 x018B						
TMS9 x022B						
TMS9 x025B			213 (8.14)	5.0 (11.0)		
TMS9 x030B						
TMS9 x037B						
TMS9 x045B	438 (17.2)	275 (10.8)	250 (9.8)	15 (33.0)		
TMS9 x055B						
TMS9 x075B						
TMS9 x082B			460 (18.1)	390 (15.4)	280 (11.0)	24 (52.9)
TMS9 x090B						
TMS9 x110B						
TMS9 x132C	689 (27.1)	430 (16.9)			300 (11.9)	45.0 (98.1)
TMS9 x185C						
TMS9 x200C						
TMS9 x220C			53.0 (116.8)			
TMS9 x280C						
TMS9 x355C						
TMS9 x445C	860 (34.4)	585 (23.0)	364 (14.3)	117 (257.9)		
TMS9 x500C						
TMS9 x650C						
TMS9 x750C			130 (286.6)			
TMS9 x850C						

TOSHIBA
Leading Innovation >>>

NSW
Toshiba International Corporation Pty Ltd
2 Morton Street, Parramatta NSW 2150
Tel: (02) 9768 6600 Fax: (02) 9890 7546

Newcastle
Toshiba International Corporation Pty Ltd
UNIT 1 / 18 Kinta Drive, Beresfield NSW 2322
Tel: (02) 4966 8124 Fax: (02) 4966 8147

Victoria
Toshiba International Corporation Pty Ltd
411 Fern Tree Gully Road, Mt Waverley VIC 3149
Tel: (03) 8541 7960 Fax: (03) 8541 7970

Western Australia
Toshiba International Corporation Pty Ltd
10 Anderson Place, Perth International Airport WA 6105
Tel: (08) 6272 5600 Fax: (08) 6272 5601

Queensland
Toshiba International Corporation Pty Ltd
UNIT 4 / 20 Smallwood Place, Murarrie QLD 4172
Tel: (07) 3902 7888 Fax: (07) 3902 7878

Mackay
Toshiba International Corporation Pty Ltd
1st Floor 41 Wood St, Mackay QLD 4740
Tel: (07) 4951 4203 Fax: (07) 4953 4185